



LTL NUMBER: 07224

DATE: 02-11-2003

PREPARED FOR: LUMINAIRE TESTING LABORATORY, INC.

CATALOG NUMBER: SAMPLE FLOODLIGHT TEST

LUMINAIRE: FABRICATED HOUSING, SPUN SEMI-SPECULAR ALUMINUM REFLECTOR, CLEAR GLASS ENCLOSURE.

LAMP: ONE CLEAR HORIZONTAL M47 1000 WATT BT56 METAL HALIDE RATED AT 110,000 LUMENS.

LAMP CATALOG NUMBER: SYLVANIA M1000/U

FLOODLIGHT CHARACTERISTICS

IES TYPE: 3H x 3V

MAXIMUM CANDELA: 331562 at 0.0 Deg H
-3.0 Deg V

BEAM SPREAD: 19.9 Deg Horiz
(at 50% Max CD) 19.3 Deg Vert

FIELD SPREAD: 42.9 Deg Horiz
(at 10% Max CD) 40.9 Deg Vert

BEAM LUMENS: 23475

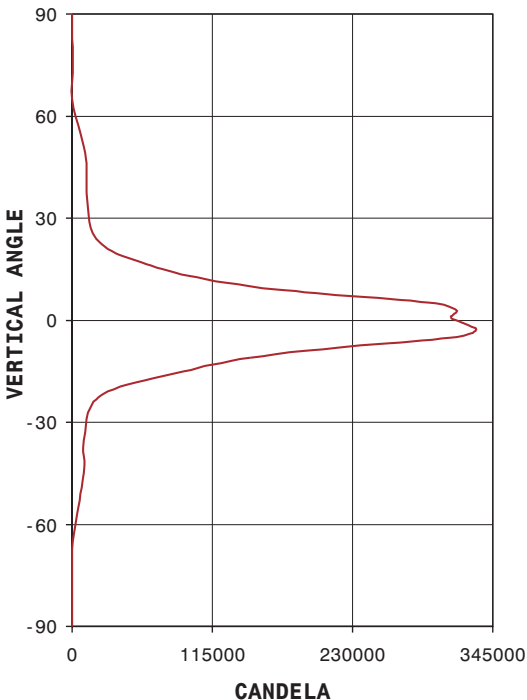
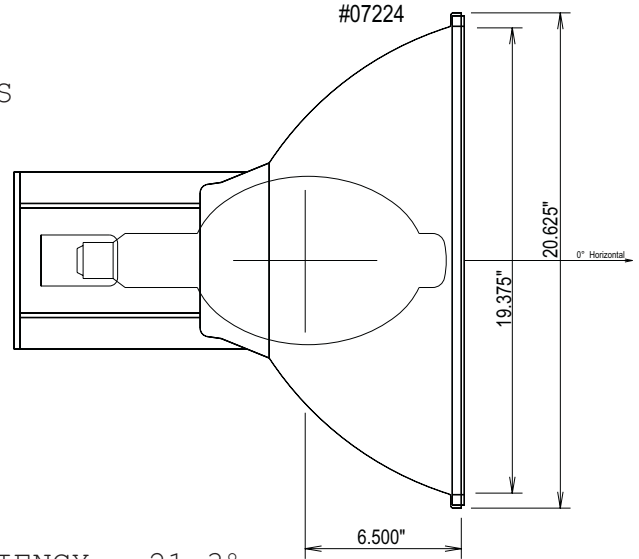
FIELD LUMENS: 48642

TOTAL LUMENS: 79367

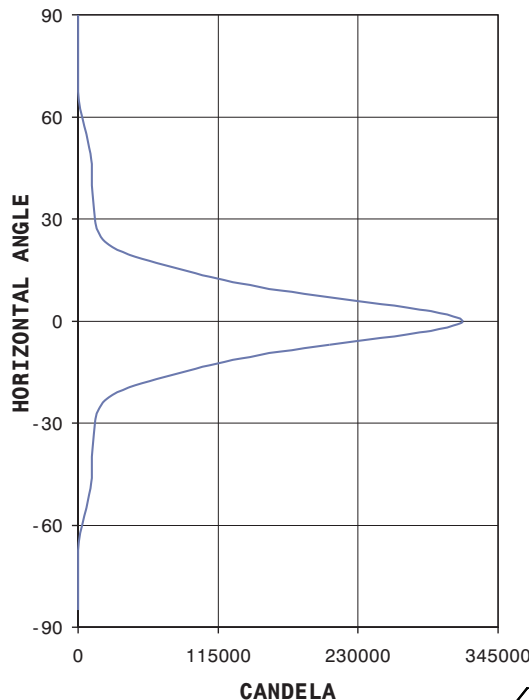
BEAM EFFICIENCY: 21.3%

FIELD EFFICIENCY: 44.2%

TOTAL EFFICIENCY: 72.2%



VERTICAL TRACE THROUGH MAXIMUM



HORIZONTAL TRACE THROUGH MAXIMUM

TESTED BY HERSCHEL SCHRECK
 CHECKED BY MIKE GRATHER

ANGULAR DATA IS SHOWN WITH POLAR AXIS HORIZONTAL. THIS TEST WAS CONDUCTED IN ACCORDANCE WITH IESNA LM-35-2002 AND IS BASED ON THE RELATIVE METHOD OF PHOTOMETRY. TEST DISTANCE WAS 27 FEET.



CANDELA TABULATION

LATERAL ANGLES

Table with 12 columns (0, 1, 3, 5, 7, 9, 11, 13, 15, 17, 19.5) and 31 rows (90, 85, 75, 65, 55, 47.5, 42.5, 37.5, 33, 29, 25.5, 22.5, 19.5, 17, 15, 13, 11, 9, 7, 5, 3, 1, 0, -1, -3, -5, -7, -9, -11, -13, -15, -17, -19.5, -22.5, -25.5, -29, -33, -37.5, -42.5, -47.5, -55, -65, -75, -85, -90). Includes a vertical label 'VERTICAL ANGLES' on the left and a red stepped line graph overlaying the data.



CANDELA TABULATION

LATERAL ANGLES

Table with 12 columns for lateral angles (22.5 to 90) and 36 rows for vertical angles (-90 to 90). Values represent candela measurements.



LUMEN TABULATION LATERAL ANGLES

Table with 12 columns (Vertical Angles, 1.0, 3.0, 5.0, 7.0, 9.0, 11.0, 13.0, 15.0, 17.0, 19.5, 22.5) and 35 rows (85, 75, 65, 55, 48, 43, 38, 33, 29, 26, 23, 20, 17, 15, 13, 11, 9, 7, 5, 3, 1, -1, -3, -5, -7, -9, -11, -13, -15, -17, -20, -23, -26, -29, -33, -38, -43, -48, -55, -65, -75, -85, TOTAL). Values represent lumen measurements at various angles.



LUMEN TABULATION LATERAL ANGLES

Table with 12 columns: 25.5, 29.0, 33.0, 37.5, 42.5, 47.5, 55.0, 65.0, 75.0, 85.0, TOTAL. Rows include vertical angles from 85 to -85 and a final TOTAL row.



ISOCANDELA CURVES

